

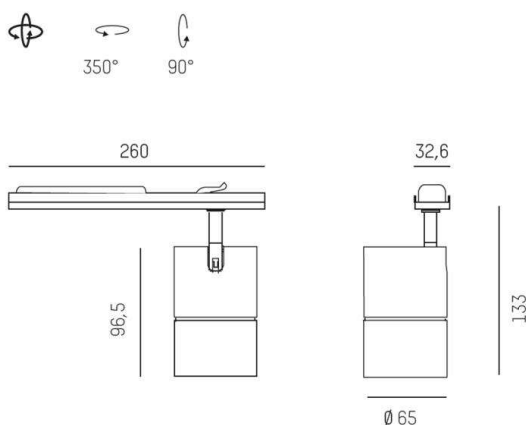
## DASH RIDE

676-006010224050v1

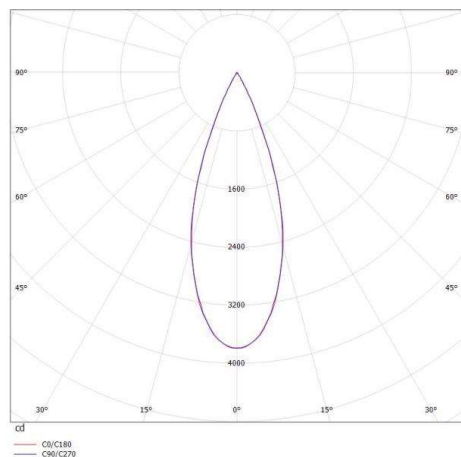
DASH RIDE INSERT SYSTEM SPOTLIGHT made of aluminium, white, similar to RAL 9016, high-efficiently vacuum deposited aluminium reflector beam 40°, light output direct, swiveling 350°, tilting 90°, with converter, max. 350mA, dimmable not dimmable, through wiring 0,75mm<sup>2</sup>, IP20



## DRAWING



## LIGHT DISTRIBUTION CURVE



## TECHNICAL DETAILS

|                     |                                      |
|---------------------|--------------------------------------|
| System perform. [W] | 14                                   |
| Bulb type           | LED                                  |
| Luminous flux [lm]  | 1540                                 |
| Current sec. [mA]   | 350                                  |
| Colour temp. [K]    | 4000K                                |
| CRI                 | >90                                  |
| Optics              | vacuum deposited aluminium reflector |
| Designer            | INHOUSE                              |
| Converter           | with converter                       |
| Dimming             | nicht dimmbar                        |
| Light output        | direct                               |
| Beam angle [°]      | 40°                                  |
| Voltage [V]         | 220-240V 50/60Hz                     |
| Through wiring      | 0,75mm <sup>2</sup>                  |
| Material            | aluminium                            |

|                     |                  |
|---------------------|------------------|
| Length [mm]         | 260              |
| Width [mm]          | 32,5             |
| Height [mm]         | 95               |
| Diameter [mm]       | 65               |
| IP protection class | IP20             |
| Voltage class       | protection cl. I |
| Net weight [kg]     | 0,59             |

|              |                |
|--------------|----------------|
| Color lamp   | white          |
| RAL          | 9016           |
| EAN-Number   | 9010506092387  |
| Lifetime [h] | L80 B10 50 000 |



The values are rated values. Power and luminous flux are initially subject to a tolerance of +/- 10%. Colour temperature tolerance: +/- 150 K. The values apply to an ambient temperature of 25°C unless otherwise specified.