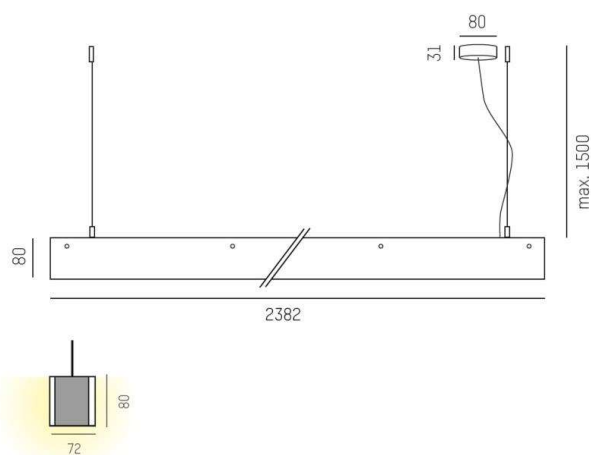


MESSINA

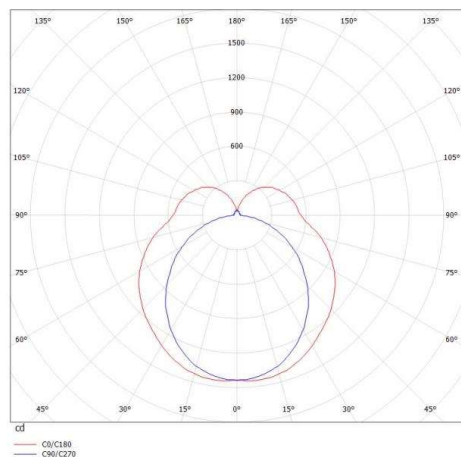
44-25209pmddd

MESSINA PD SUSPENSION made of metal, natural anodised, satined PMMA opal diffuser light output direct, with converter, dimmable DALI, cable transparent, adapter/ceiling base silver, pendant length 1500mm, IP20

DRAWING



LIGHT DISTRIBUTION CURVE



TECHNICAL DETAILS

System perform. [W]	52
Bulb type	LED
Luminous flux [lm]	6730
Colour temp. [K]	3000K
CRI	>80
Optics	PMMA opal diffuser
Designer	INHOUSE
Converter	with converter
Dimming	DALI
Light output	direct
Voltage [V]	220-240V 50/60Hz
Material	metal

Length [mm]	2382
Width [mm]	72
Height [mm]	80
Pendant length [mm]	1500
IP protection class	IP20
Voltage class	protection cl. I
Net weight [kg]	17,97

Color lamp	natural anodised
Color adapter/ceiling base	silver transparent
Electric wire	9008905264283
EAN-Number	L80 B10 50 000
Lifetime [h]	



The values are rated values. Power and luminous flux are initially subject to a tolerance of +/- 10%. Colour temperature tolerance: +/- 150 K. The values apply to an ambient temperature of 25°C unless otherwise specified.