

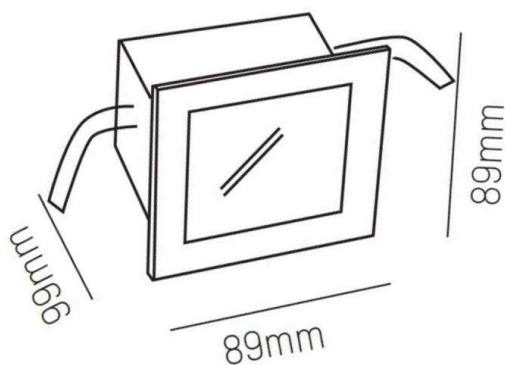
COVER

305-0619140

COVER RECESSED SPOTLIGHT made of aluminium, silver matt, similar to RAL 9006, light output direct, without converter, max. 250mA, IP44



DRAWING



LIGHT DISTRIBUTION CURVE

TECHNICAL DETAILS

Bulb type	LED 6W
Luminous flux [lm]	435
Current sec. [mA]	250
Colour temp. [K]	3000K
CRI	>80
Converter	without converter
Light output	direct
Voltage [V]	20 VDC
Material	aluminium
Length [mm]	89
Width [mm]	89
Height [mm]	78
Ceiling cutout [mm]	76x76
Recess depth [mm]	108
IP protection class	IP44
Voltage class	protection cl. III
Net weight [kg]	0,31
Color lamp	silver matt
RAL	9006
EAN-Number	9010506027419
Lifetime [h]	25 000



The values are rated values. Power and luminous flux are initially subject to a tolerance of +/- 10%. Colour temperature tolerance: +/- 150 K. The values apply to an ambient temperature of 25°C unless otherwise specified.