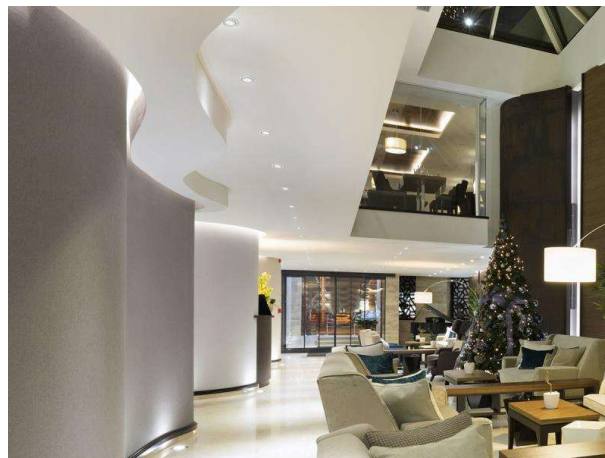


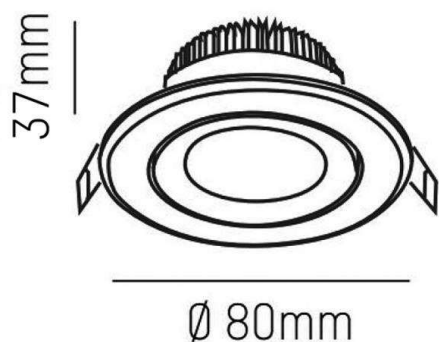
AGON

305-0040680402705

AGON ROUND RECESSED SPOTLIGHT made of aluminium, white matt, similar to RAL 9003, beam 40°, light output direct, tilting 30°, without converter, max. 250mA, IP20



DRAWING



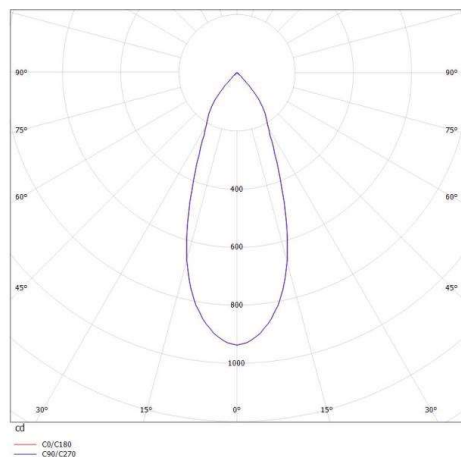
TECHNICAL DETAILS

Bulb type	LED 5W
Luminous flux [lm]	555
Current sec. [mA]	250
Colour temp. [K]	2700K
CRI	>80
Converter	without converter
Light output	direct
Beam angle [°]	40°
Voltage [V]	20 VDC
Material	aluminium

Height [mm]	37
Diameter [mm]	80
Ceiling cutout [mm]	68
Recess depth [mm]	70
IP protection class	IP20
Voltage class	protection cl. III
Net weight [kg]	0,16

Color lamp	white matt
RAL	9003
EAN-Number	9008905796449
Lifetime [h]	25 000

LIGHT DISTRIBUTION CURVE



The values are rated values. Power and luminous flux are initially subject to a tolerance of +/- 10%. Colour temperature tolerance: +/- 150 K. The values apply to an ambient temperature of 25°C unless otherwise specified.