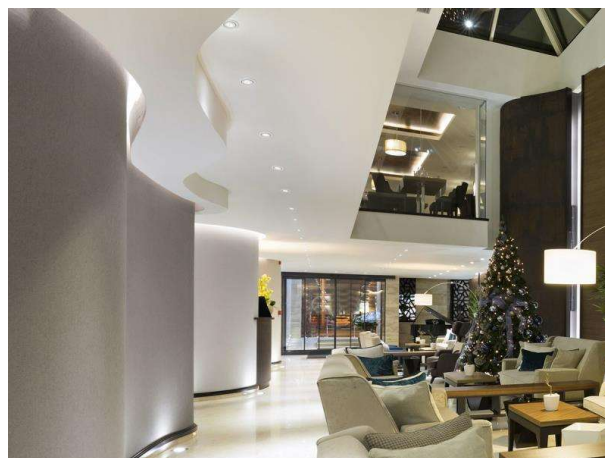


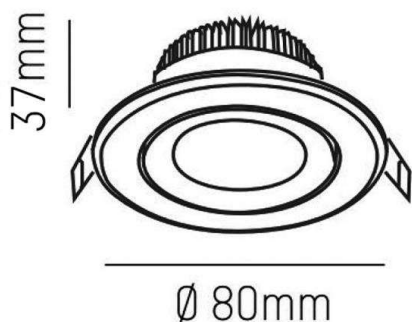
**AGON**

**305-0040680202705**

AGON ROUND RECESSED SPOTLIGHT made of aluminium, white matt, similar to RAL 9003, beam 20°, light output direct, tilting 30°, without converter, max. 250mA, IP20



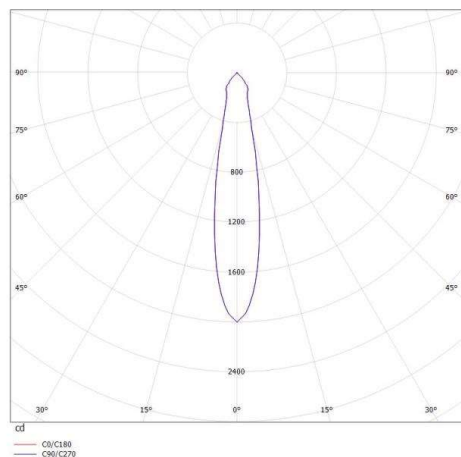
**DRAWING**



**TECHNICAL DETAILS**

Bulb type	LED 5W
Luminous flux [lm]	500
Current sec. [mA]	250
Colour temp. [K]	2700K
CRI	>80
Converter	without converter
Light output	direct
Beam angle [°]	20°
Voltage [V]	20 VDC
Material	aluminium
Height [mm]	37
Diameter [mm]	80
Ceiling cutout [mm]	68
Recess depth [mm]	70
IP protection class	IP20
Voltage class	protection cl. III
Net weight [kg]	0,16
Color lamp	white matt
RAL	9003
EAN-Number	9008905934780
Lifetime [h]	25 000

**LIGHT DISTRIBUTION CURVE**



The values are rated values. Power and luminous flux are initially subject to a tolerance of +/- 10%. Colour temperature tolerance: +/- 150 K. The values apply to an ambient temperature of 25°C unless otherwise specified.